

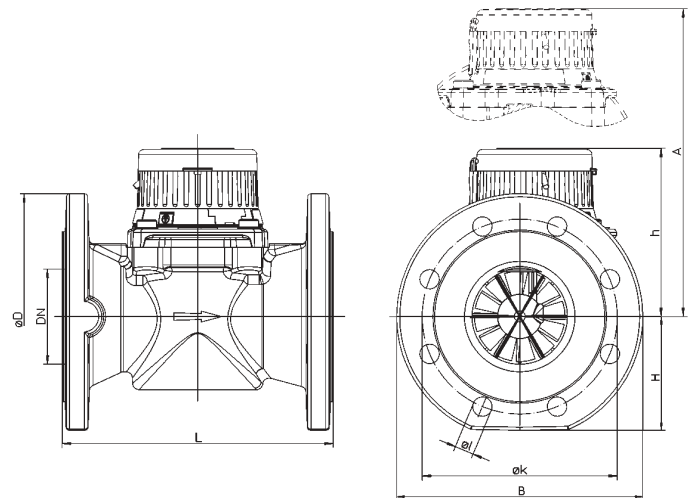
WOLTMAN METER WP-MFD MODEL 222

APPLICATION

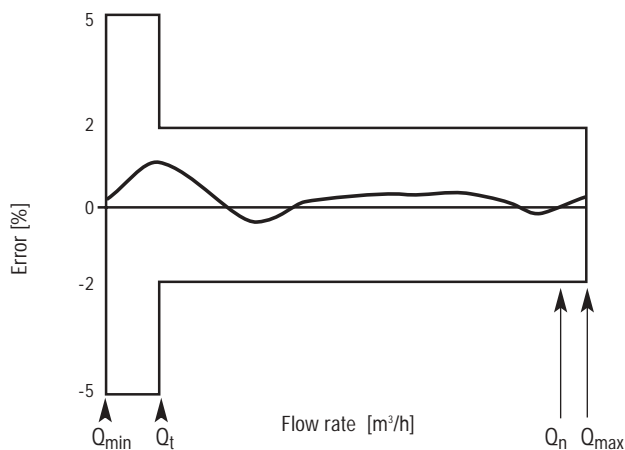
- ❑ Cold water up to 30 °C (safe up to 50 °C)
- ❑ Can be installed in any position
- ❑ Operating pressure up to 16 bar
- ❑ Flange to DIN 2501 and DIN 2533
- ❑ Overall lengths to DIN 19625 and DIN ISO 4064
- ❑ Encapsulated counter of glass/copper, protection class IP 68 (waterproof up to 5 m)
- ❑ Available with FLYPPER® electronic counter module for flow rate monitoring, data acquisition and remote data reading – protection class IP 68 waterproof

FEATURES

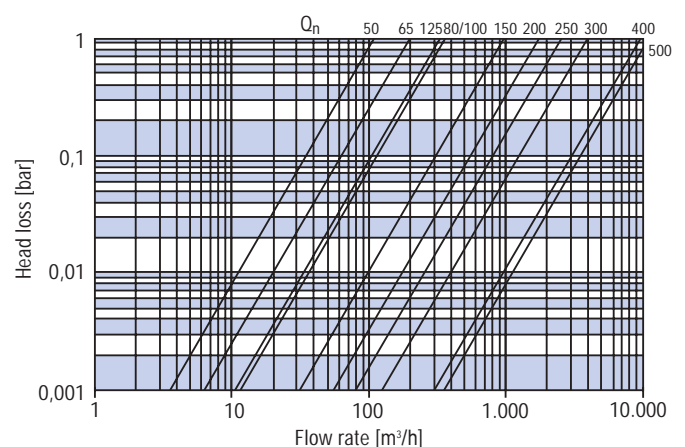
- ❑ EEC approval for metrological classes A/B
- ❑ Reverse running: Can be calibrated on request up to DN 65
- ❑ Removable measuring insert
- ❑ Sealed measuring insert for better accuracy in all installation positions
- ❑ Outstanding long-term accuracy through hydraulic bearing relief
- ❑ Wear-resistant plastic bearing
- ❑ Complete head unit with counter and sensors can be rotated by 350° for easier reading
- ❑ Integrated measurement outputs as standard
- ❑ Sensors for remote readout (digital) and flow measurement (analogue) can be retrofitted on site without affecting calibration
- ❑ Up to two different digital outputs and one analogue output simultaneously
- ❑ Sensors for forward and reverse metering
- ❑ Service-friendly handling
- ❑ Integral part of the FLYPPER® system



TYPICAL ERROR GRAPH WP-MFD



HEAD LOSS GRAPHS WP-MFD



WOLTMAN METER WP-MFD MODEL 222

TECHNICAL DATA

Model	222												
Type	WP-MFD												
Performance data to EEC approval directive class B	DN mm	50	65	80	100	125	150	200	250	300	400	500	
Permissible continuous load	Q _n m ³ /h	15	25	40	60	100	150	250	400	600	1000	1500	
Maximum flow rate	Q _{max} m ³ /h	30	50	80	120	200	300	500	800	1200	2000	3000	
Transition flow limit	Q _t m ³ /h	3	5	8	12	20	30	50	80	120	200	450	
Lower measuring range limit	Q _{min} m ³ /h	0.45	0.75	1.2	1.8	3	4.5	7.5	12	18	30	120	
Performance data TYRBOT WP-MFD													
Permissible continuous load	Q _n m ³ /h	30	50	120	230	250	250	325	600	700	1.250	2.000	
Maximum load (1 x 24 h)	Q _{max} m ³ /h	90	120	200	300	350	350	650	1,200	1,500	2,800	4,200	
Starting	m ³ /h	0.09	0.13	0.16	0.19	0.19	1.5	2.5	5	10	15	20	
Horizontal Transition flow	Q _t m ³ /h	1	1.2	0.8	1.8	2	4	6	20	50	50	80	
Lower measuring range limit	Q _{min} m ³ /h	0.35	0.45	0.5	0.6	0.6	1.8	4	12	18	30	45	
Vertical Transition flow	Q _t m ³ /h	3	5	0.8	1.8	2	4	6	-	-	-	-	
Lower measuring range limit	Q _{min} m ³ /h	0.5	1	0.5	0.6	0.6	1.8	4	-	-	-	-	
Flow rate at 0.1 bar head loss	m ³ /h	35	63	115	115	105	310	550	800	1,250	3,000	6,000	
Overall length	L mm	200	200	225 (200)	250	250	300	350	450	500	500	500	
Height (below centre axis) PN16/PN40	H mm	75	83	89	105	115	135/143	163/180	193	230	290	360	
Height (above centre axis)	h mm	123	123	154	154	154	245	245	242	290	311	361	
Height for removing insert	A mm	225	225	275	275	275	475	475	472	520	580	660	
Width (PN16)	B mm	155	155	200	220	250	285	340	405	460	580	715	
Flange diameter (PN16)	D mm	165	185	200	220	250	285	340	405	460	580	715	
Hole circle (PN16)	K mm	125	145	160	180	210	240	295	350	400	515	620	
Number of screwholes (PN16)		4	4	8/4	8	8	8	8/12	12	12	16	20	
Screwhole diameter (PN16)	l mm	18	18	18	18	18	22	22	23	23	27	27	
Weight [PN16]	kg	10.2	11.2	13*	16	21.5	39	47	75	165	190	300	
Weight [PN40]	kg	11.2	12.2	13*	16.5	-	43	60	-	-	-	-	
Pulse values													
Pulse output (reed) model 570	L/pulse	100					1,000					10,000	
		1,000					10,000					100,000	
Pulse output (reed) model 570 Special version	L/pulse	25 • 50 • 250 • 500					250 • 500 • 2,500 • 5,000					2,500 • 5,000 25,000 • 50,000	
IR transmitter model 573	L/pulse	1					10					100	

Minor changes are possible in the course of technical development.

ORDER REFERENCES

Model	Nominal diameter	Type designation	Version	Article number
222	50 mm	WP-MFD	cl. B-H	222 000 02
222	65 mm	WP-MFD	cl. B-H	222 000 04
222	80 mm	WP-MFD	4-hole / cl. B	222 000 21
222	80 mm	WP-MFD	8-hole / cl. B	222 000 00
222	100 mm	WP-MFD	cl. B	222 000 06
222	125 mm	WP-MFD	cl. B	222 000 07
222	150 mm	WP-MFD	cl. B	222 000 08
222	200 mm	WP-MFD	8-hole, cl. B	222 000 09
222	200 mm	WP-MFD	12-hole, cl. B	222 000 10
222	250 mm	WP-MFD	PN 10 cl. B	222 000 11
222	250 mm	WP-MFD	PN 16 cl. B	222 000 12
222	300 mm	WP-MFD	PN 10 cl. B	222 000 13
222	300 mm	WP-MFD	PN 16 cl. B	222 000 14
222	400 mm	WP-MFD	PN 10 cl. B	222 000 15
222	400 mm	WP-MFD	PN 16 cl. B	222 000 16
222	500 mm	WP-MFD	PN 10 cl. B	222 000 17
222	500 mm	WP-MFD	PN 16 cl. B	222 000 18

Note

The types listed in the order references are standard meters. All versions can of course be supplied as per technical data.

Available on request:

- Meter versions with pressure level PN 25/40
- Flange for ANSI and BS
- With FLYPPER electronic counter module in protection class IP 68 (waterproof up to 5 m)

