

CONTACT WATER METER FOR COLD WATER M-TXK / M-TSXK MODEL 433/434

APPLICATION

- ❑ Contact water meter for proportional control of pumps, motors, etc.
- ❑ Metering with digital preselection of quantity and remote transmission of flow rates

FEATURES

- ❑ Cold water up to 30 °C (safe up to max. 50 °C)
- ❑ Horizontal installation, installation and connection dimensions to DIN ISO 4064
- ❑ Installation in rising pipes with housing, installation and connection dimensions to DIN 19648 Part 3
- ❑ Operating pressure up to max. 16 bar
- ❑ Multi-jet impeller meter in completely dry-running design with magnetic coupling. Only the impeller operates in the wet chamber to prevent faults due to sediment.
- ❑ Encapsulated waterproof counter. Reading not obstructed by condensation of the transparent cover; can be rotated to any position for easy reading
- ❑ Compact design in subassemblies simplifies maintenance and repair
- ❑ Built-in pulse contact cast in a waterproof enclosure and easily replaceable
- ❑ Contact rating max. 24 V (SELV), 0.2 A

SPECIAL VERSIONS

- ❑ Pulse contact is available with screw connection or 1-m cable
- HYDROMETER model 433/434 contact water meters can be supplied calibrated if required. The meter is tested for compliance with the figures specified in the calibration regulations.

MODEL 433

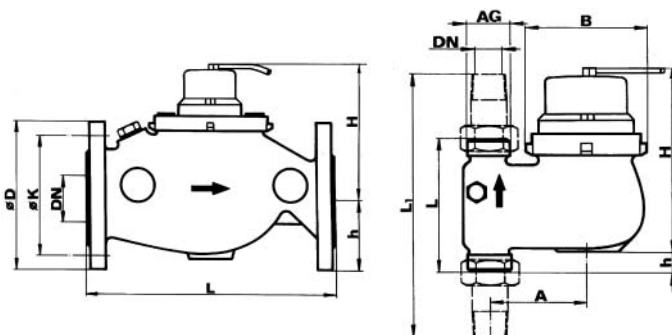
FLANGE

DN 50/PN 16

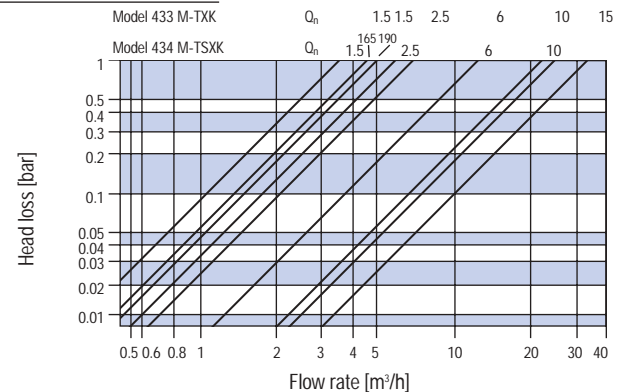
MODEL 434

RISING PIPE METER

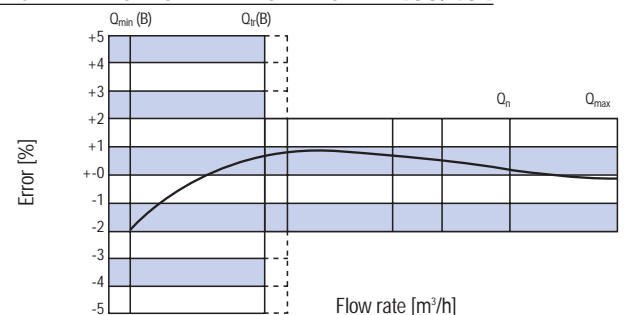
DN 20-40/PN 16



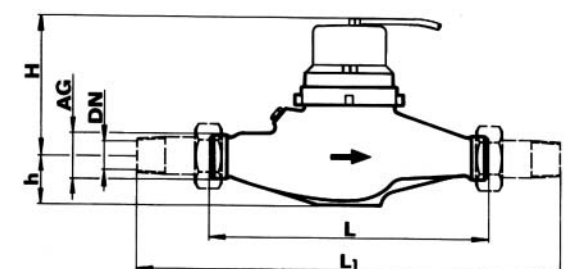
HEAD LOSS DIAGRAM



TYPICAL ERROR GRAPH FOR MODEL 433/434



MODEL 433 METER THREAD DN 15-40/PN 16



CONTACT WATER METER FOR COLD WATER M-TXK / M-TSXX MODEL 433/434

TECHNICAL DATA

Type	M-TXK								M-TSXX			
Nominal diameter	DN	mm	15	20	20	25	40	50	20	20	25	40
Nominal flow rate	Q _n	m ³ /h	1.5	1.5	2.5	6	10	15	1.5	2.5	6	10
Flow rate at 1 bar head loss for 30 °C (max. 50 °C)		m ³ /h	4.6	4.8	7	12	24	34	3.4	6	12	22
Maximum flow rate	Q _{max}	m ³ /h	3	3	5	12	20	30	3	5	12	20
Transition flow rate	Q _t	l/h	150	150	250	600	1,000	1,500	150	250	600	1,000
Lower measuring range limit	Q _{min}	l/h	30	30	50	90	160	200	30	50	90	160
Starting flows		l/h	12-15		20-25	40-50	60-70	80-90	12-15	20-25	40-50	60-70
Meter thread to DIN ISO 228/Part 1	old desig.	AG	inch	R 3/4	R 1	R 1 1/4	R 2	Flange DIN 2501	R 1	R 1 1/4	R 2	
	new desig.	AG	inch	G 3/4 B	G 1 B	G 1 1/4 B	G 2 B		G 1 B	G 1 1/4 B	G 2 B	
Coupling thread DIN 2999 (ISO 7/1)		inch	R 1/2	R 3/4	R 1	R 1 1/2			R 3/4	R 1	R 1 1/2	
Flange to DIN 2501	Outer Ø	D	mm	-				165	-			
	Hole pitch Ø	K	mm	-				125	-			
	Number of bolts	Quantity		-				4	-			
Overall length		L	mm	165	190	260	300	270	105	150	200	
	with coupling	L1	mm	245	288	378	438	-	203	268	338	
Height		H	mm	136		147	161	218	134	145	157	
		h	mm	41		44	46	83	14	31	21	
Width		A	mm	-					82	95	120	
		B	mm	96			102	137	166	96	102	130
Dial indication range			Min. 0.1 l / max. 100,000 m ³									
Weight	without coupling		kg	1.5	1.7	2.5	4.7	11.7	2.1	3.1	5.5	
	with coupling		kg	1.7	2.1	3.1	5.9	-	2.5	3.7	6.7	

* The M-TXK Q_n 6 is also available with G 1 1/2 B meter thread to DIN ISO 4064. The M-TSXX Q_n 6 is also available with G 1 1/2 B meter thread to DIN 19648/Part 3. The M-TSXX DN 25 is also available on request with the old overall length of 135 mm and DN 40 with the overall length of 150 mm.

AVAILABLE PULSE RATES

0.5 · 1 · 2 · 2.5 · 3 · 4 · 5 · 10 · 20 · 25 · 30 · 40 · 50 · 100 · 200 · 250 · 300 · 400 · 500 · 1000 litres/pulse

The measuring range limit differs for pulse sequences 0.5 to 5 litres/pulse. Other versions and pulse rates available on request. Minor technical changes may occur in the course of further development.

ORDER REFERENCES

Model	Q _n /PN	Type designation	l/pulse	Overall length	Temperature	Connections	*Metrol. cl.	Article number
433	1.5 m ³ /h / 16	M-TXK	1	190 mm	30 °C	G 1 B/cable	A•H	433 000 00
433	1.5 m ³ /h / 16	M-TXK	10	190 mm	30 °C	G 1 B/cable	A•H	433 000 02
433	2.5 m ³ /h / 16	M-TXK	1	190 mm	30 °C	G 1 B/cable	A•H	433 000 20
433	2.5 m ³ /h / 16	M-TXK	10	190 mm	30 °C	G 1 B/cable	A•H	433 000 24
433	2.5 m ³ /h / 16	M-TXK	100	190 mm	30 °C	G 1 B/cable	A•H	433 000 28
433	6 m ³ /h / 16	M-TXK	1	260 mm	30 °C	G 1 1/4 B/cable	A•H	433 000 47
433	6 m ³ /h / 16	M-TXK	10	260 mm	30 °C	G 1 1/4 B/cable	A•H	433 000 51
433	6 m ³ /h / 16	M-TXK	100	260 mm	30 °C	G 1 1/4 B/cable	A•H	433 000 55
433	10 m ³ /h / 16	M-TXK	1	300 mm	30 °C	G 2 B/cable	A•H	433 000 84
433	10 m ³ /h / 16	M-TXK	10	300 mm	30 °C	G 2 B/cable	A•H	433 000 90
433	10 m ³ /h / 16	M-TXK	100	300 mm	30 °C	G 2 B/cable	A•H	433 000 94
433	10 m ³ /h / 16	M-TXK	1,000	300 mm	30 °C	G 2 B/cable	A•H	433 000 95
433	15 m ³ /h / 16	M-TXK	1	270 mm	30 °C	FL 50-DIN 2501	A•H	433 001 19
433	15 m ³ /h / 16	M-TXK	10	270 mm	30 °C	FL 50-DIN 2501	A•H	433 001 24
433	15 m ³ /h / 16	M-TXK	100	270 mm	30 °C	FL 50-DIN 2501	A•H	433 001 28
433	15 m ³ /h / 16	M-TXK	1,000	270 mm	30 °C	FL 50-DIN 2501	A•H	433 001 29
434	1.5 m ³ /h / 16	M-TSXX	1	105 mm	30 °C	G 1 B/cable	A•H	434 000 00
434	2.5 m ³ /h / 16	M-TSXX	1	105 mm	30 °C	G 1 B/cable	A•H	434 000 02
434	2.5 m ³ /h / 16	M-TSXX	10	105 mm	30 °C	G 1 B/cable	A•H	434 000 04
434	6 m ³ /h / 16	M-TSXX	1	150 mm	30 °C	G 1 1/4 B/cable	A•H	434 000 08
434	6 m ³ /h / 16	M-TSXX	10	150 mm	30 °C	G 1 1/4 B/cable	A•H	434 000 10

* tested to the metrological class indicated!

Note: The types listed in the order references are standard meters. All versions can of course be supplied as per technical data.

Explanation of type designations:

M: multi-jet meter

K: pulse output

T: dry runner

S: rising pipe version

X: counter type