

FLOW SENSOR E-TXKA / E-THXKA MODELS 443/444

APPLICATION

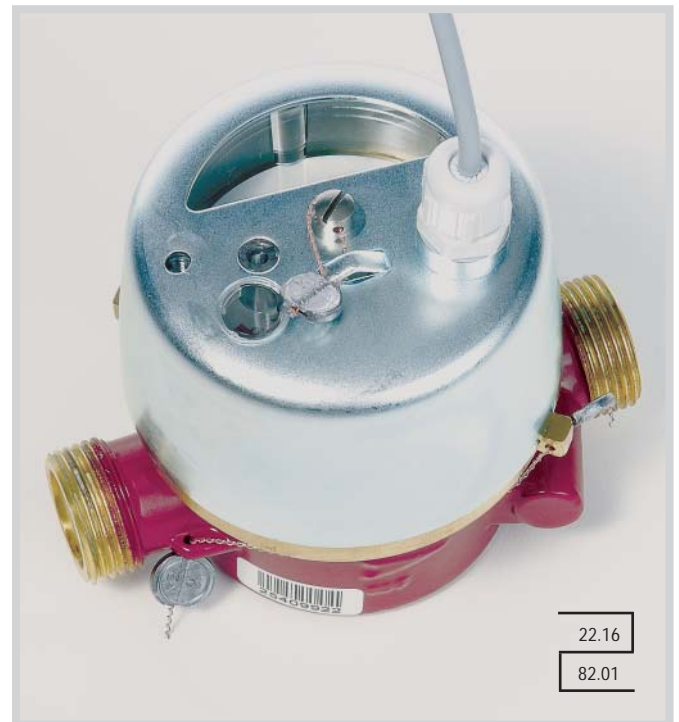
- For horizontal and vertical installation
- For hot water up to 90 °C
- With carbide bearing up to 120 °C
- Nominal diameter 15 - 20 mm
- Q_n 0.6 · 1.5 · 2.5 m³/h
- Operating pressure: up to 16 bar to DIN 2401
- Construction and connection dimensions to DIN ISO 4064
- Contact rating: 24 V (without series resistor)
- For volume measuring components, the pulse transmitter is fitted with a 100 Ω 1/4 W protective resistor 0.2 A (SELV)
- Cable length: 3 m

SPECIAL FEATURES

- Models 443 and 444 (with special carbide bearing) are single-jet impeller meters to the latest technical standards with a completely dry-running design and magnetic coupling
- Only the impeller operates in the wet chamber, which prevents faults due to unclean water
- The roller counter is dustproof and waterproof to prevent condensation of the glass window with heavy temperature fluctuations
- The roller counter can be rotated for easier reading
- Built-in reed switch is cast in a waterproof enclosure and easily replaced
- Meter protected against magnetic interference by a sealed shield
- Compact design in subassemblies simplifies maintenance and repair
- Available with external adjustment (special version)

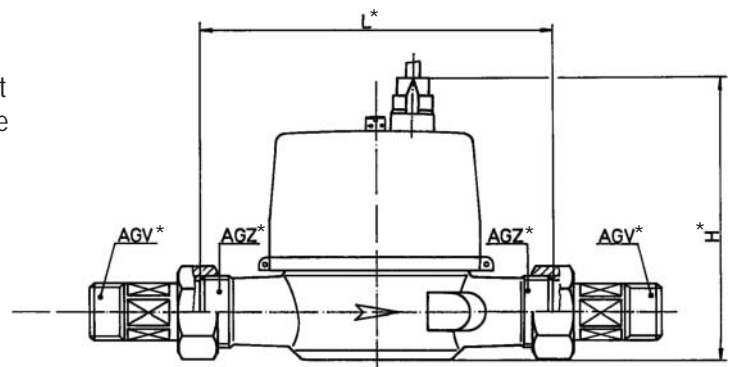
NOTE

- HYDROMETER contact water meters/volume measuring components models 443 and 444 can be supplied calibrated on request.
- Please refer to the Installation Guide for installing the meters.
- When using the contact water meters as volume measuring components, we recommend that the meters are selected so that the head loss of 0.1 bar is not exceeded at maximum load!



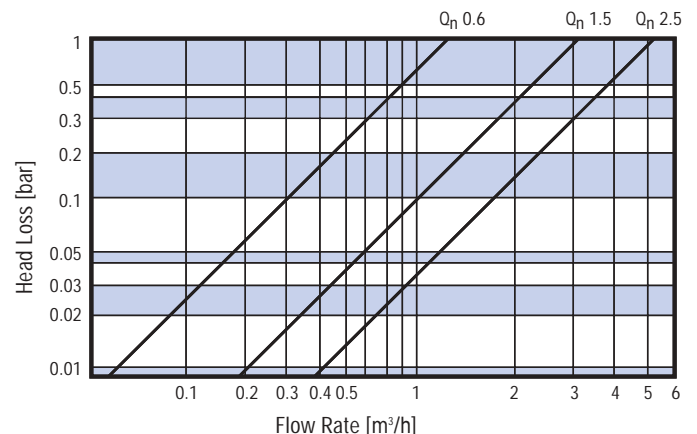
22.16

82.01



*See technical data table for explanation of dimensions

HEAD LOSS DIAGRAMS FOR E-TXKA / E-THXKA



FLOW SENSOR E-TXKA / E-THXKA MODELS 443/444

TECHNICAL DATA

Model		443			444			
Type		E-TXKA			E-THXKA			
Nominal diameter	DN mm	15		20	15		20	
Maximum operating temperature		90 °C			120 °C			
Nominal flow rate	Q _n m ³ /h	0.6	1.5	2.5	0.6	1.5	2.5	
Flow rate at 0,1 bar head loss	m ³ /h	0.4	1.1	1.7	0.4	1.1	1.7	
Maximum flow rate	Q _{max} m ³ /h	1.2	3	5	1.2	3	5	
Transition flow limit	horizontal installation	Q _t l/h	48	120	200	48	120	200
	vertical installation	Q _t l/h	60	150	250	60	150	250
Lower measuring range	horizontal installation	Q _{min} l/h	12	30	50	12	30	50
	vertical installation	Q _{min} l/h	24	60	100	24	60	100
Meter coupling thread to ISO 228/1	AGZ inch	G 3/4 B		G 1 B	G 3/4 B		G 1 B	
Coupling thread to DIN 2999 (ISO 7/1)	AGV inch	R 1/2		R 3/4	R 1/2		R 3/4	
Overall length	L mm	110		130	110		130	
	L1 mm	190		228	190		228	
Height	H mm	100						
Indication range		min. 0.05 L / max. 100,000 m ³						
Weight	without coupling	kg	0.8		1	0.8		1
	with coupling	kg	1		1.4	1		1.4

Available pulse rates: 1 · 2.5 · 10 · 25 Liter. Other versions and pulse rates available on request.

Available versions: HYDROMETER standard version complete with built-in reed switch with 3 m cable and shield. **Special customized versions** available on request!

ORDER REFERENCES

Model	Nominal flow rate	Type designation	I / pulse	Overall length	Temperature	Connection	*Metrol. cl.	Article number
443	Q _n 0.6 m ³ /h	E-TXKA	1	110 mm	90 °C	G 3/4 B	A / B•H	443 000 55
443	Q _n 0.6 m ³ /h	E-TXKA	2.5	110 mm	90 °C	G 3/4 B	A / B•H	443 000 59
443	Q _n 0.6 m ³ /h	E-TXKA	10	110 mm	90 °C	G 3/4 B	A / B•H	443 000 56
443	Q _n 0.6 m ³ /h	E-TXKA	25	110 mm	90 °C	G 3/4 B	A / B•H	443 000 60
443	Q _n 1.5 m ³ /h	E-TXKA	1	110 mm	90 °C	G 3/4 B	A / B•H	443 000 07
443	Q _n 1.5 m ³ /h	E-TXKA	2.5	110 mm	90 °C	G 3/4 B	A / B•H	443 000 12
443	Q _n 1.5 m ³ /h	E-TXKA	10	110 mm	90 °C	G 3/4 B	A / B•H	443 000 08
443	Q _n 1.5 m ³ /h	E-TXKA	25	110 mm	90 °C	G 3/4 B	A / B•H	443 000 13
443	Q _n 2.5 m ³ /h	E-TXKA	1	130 mm	90 °C	G 1 B	A / B•H	443 000 37
443	Q _n 2.5 m ³ /h	E-TXKA	2.5	130 mm	90 °C	G 1 B	A / B•H	443 000 41
443	Q _n 2.5 m ³ /h	E-TXKA	10	130 mm	90 °C	G 1 B	A / B•H	443 000 38
443	Q _n 2.5 m ³ /h	E-TXKA	25	130 mm	90 °C	G 1 B	A / B•H	443 000 42
444	Q _n 0.6 m ³ /h	E-THXKA	1	110 mm	120 °C	G 3/4 B	A / B•H	444 001 79
444	Q _n 0.6 m ³ /h	E-THXKA	2.5	110 mm	120 °C	G 3/4 B	A / B•H	444 001 83
444	Q _n 0.6 m ³ /h	E-THXKA	10	110 mm	120 °C	G 3/4 B	A / B•H	444 001 80
444	Q _n 0.6 m ³ /h	E-THXKA	25	110 mm	120 °C	G 3/4 B	A / B•H	444 001 84
444	Q _n 1.5 m ³ /h	E-THXKA	1	110 mm	120 °C	G 3/4 B	A / B•H	444 000 20
444	Q _n 1.5 m ³ /h	E-THXKA	2.5	110 mm	120 °C	G 3/4 B	A / B•H	444 000 24
444	Q _n 1.5 m ³ /h	E-THXKA	10	110 mm	120 °C	G 3/4 B	A / B•H	444 000 21
444	Q _n 1.5 m ³ /h	E-THXKA	25	110 mm	120 °C	G 3/4 B	A / B•H	444 000 25
444	Q _n 2.5 m ³ /h	E-THXKA	1	130 mm	120 °C	G 1 B	A / B•H	444 001 22
444	Q _n 2.5 m ³ /h	E-THXKA	2.5	130 mm	120 °C	G 1 B	A / B•H	444 001 27
444	Q _n 2.5 m ³ /h	E-THXKA	10	130 mm	120 °C	G 1 B	A / B•H	444 001 23
444	Q _n 2.5 m ³ /h	E-THXKA	25	130 mm	120 °C	G 1 B	A / B•H	444 001 28

Minor technical changes are possible in the course of further development.

* tested to the metrological class indicated!

ORDER REFERENCES FOR SUITABLE REPLACEMENT REED CONTACTS - MAX. CABLE LENGTH UP TO 10M WITHOUT EMC TEST

Type / for	Suitable for model	Version	Note	Article number
Reed switch	443 / 444	with resistor	Standard, 3 m cable	630 077
		with resistor	Standard, 10 m cable	630 079
		with resistor	1.5 m cable, screened	630 086

Explanation of type designation: E : Single-jet meter K : contact output A : metal shield T : dry runner X : roller counter type H : carbide bearing