

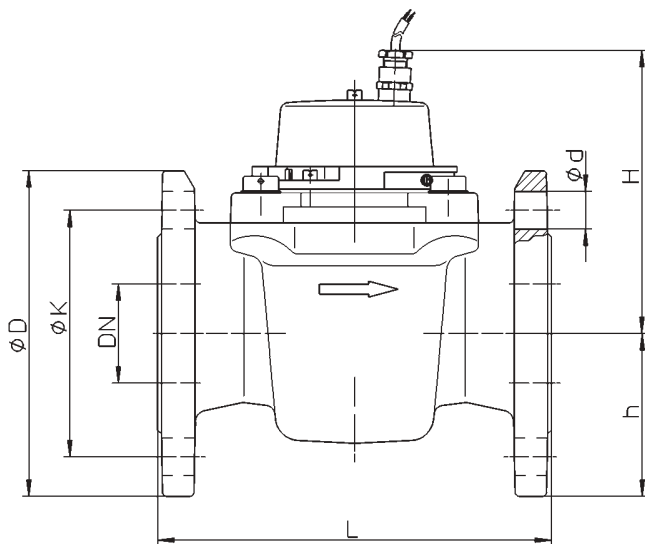
FLOW SENSOR WP-XKA MODEL 457

APPLICATION

- Volume measuring component for measuring heat for billing hot water consumption
- Facility for remote transmission of flow rates
- For installation in any position
- For hot water up to 120 °C
- Construction dimensions to DIN ISO 4064, DN 50 - 80
- Operating pressure up to 16 bar (40 bar on request)
- Contact rating (without series resistor max. 24 V, SELV), 0.2 A

SPECIAL FEATURES

- EN 1434 approval
- Replaceable contact carrier
- Completely dry-running – no gears in the wet chamber
- Encapsulated and evacuated counter
- Counter can be rotated as required for easier reading
- Very low head loss
- Sealed shield protects against magnetic effects
- Compact design for low weight
- Contact carrier fitted with 100 Ω, 1/4 W protective resistor

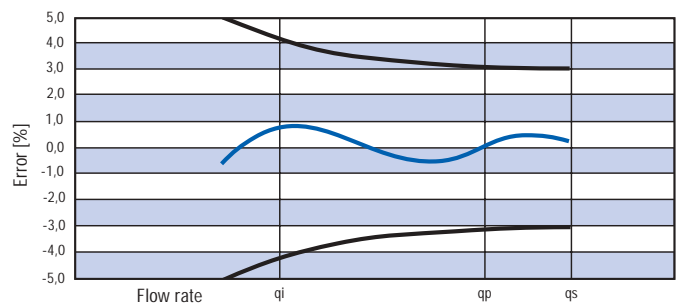


DIMENSIONS

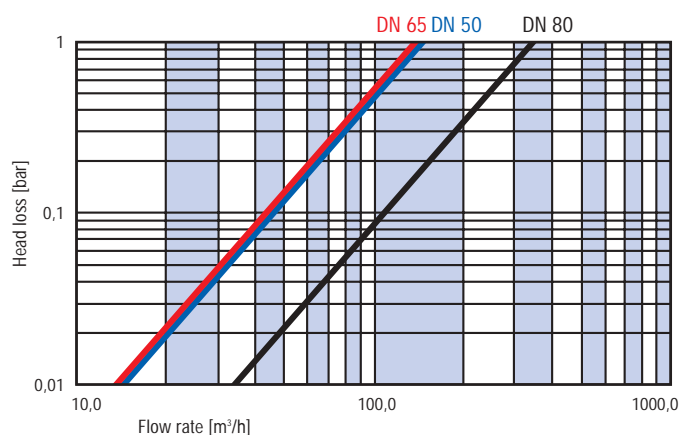
DN	q _p m ³ /h	L	h	H	Ø d	PN bar	Ø D	Ø K
50	15	200	75	141	19	16	165	125
65	25	200	82.5	141	19	16	185	145
80	32	200/225	94	141	19	16	200	160

TYPICAL ERROR GRAPH

Measuring accuracy to EN 1434 class 3



HEAD LOSS DIAGRAM



FLOW SENSOR WP-XKA MODEL 457

TECHNICAL DATA

Volume meter			50	65	80
Basic features	Ambient class		EN 1434 class C		
	Protection class		IP 54		
	Type		Woltmann meter WP-XKA		
Display on counter	Dial indication range	min L	0.5	0.5	0.5
		max m ³	106	106	106
Flow rate ranges	Maximum flow rate	q _S m ³ /h	30	30	45
	Nominal flow rate	q _p m ³ /h	15	25	32
	Minimum flow rate	q _i m ³ /h	0.6	1	3.2
	Starting flow rate	l/h	130	130	400
Head loss	At q _p	Δp bar	0.01	0.03	0.01
Operating pressure	Maximum	PN bar	16	16	16
Nominal diameter		DN mm	50	65	80
Overall length		mm	200	200	200/225
Flange dimensions	Outer Ø	D mm	165	185	200
	Hole pitch dia.	K mm	125	145	160
To DIN 2501/PN16	Number of bolts	pieces	4	4	8
Height		H mm	141	141	141
Height		h mm	75	82.5	94
Short-term maximum load	1 x 24 hours	m ³ /h	60	60	90
Weight complete		kg	11.1	11.6	12.5
Lower meas. range limit	(± 5%)	m ³ /h	0.55	0.55	2.5

Available pulse rates: 25 · 100 · 250 · 1000 litres/pulse

Minor technical changes may occur in the course of further development

ORDER REFERENCES

Model	Nominal/PN	Type	L /pulse	Overall length	Temperature	Connection	Article number
457	DN 50 / 16	WP-XKA	100	200 mm	120 °C	FL-DIN 2501	457 000 01
457	DN 50 / 16	WP-XKA	250	200 mm	120 °C	FL-DIN 2501	457 000 05
457	DN 65 / 16	WP-XKA	100	200 mm	120 °C	FL-DIN 2501	457 000 02
457	DN 65 / 16	WP-XKA	250	200 mm	120 °C	FL-DIN 2501	457 000 06
457	DN 80 / 10	WP-XKA	100	200 mm	120 °C	FL 80/ 4-hole	457 000 03
457	DN 80 / 16	WP-XKA	100	200 mm	120 °C	FL 80 / 8-hole	457 000 04
457	DN 80 / 10	WP-XKA	250	200 mm	120 °C	FL 80 / 4-hole	457 000 07
457	DN 80 / 16	WP-XKA	250	200 mm	120 °C	FL 80 / 8-hole	457 000 08
457	DN 80 / 16	WP-XKA	100	225 mm	120 °C	FL 80 / 8-hole	457 000 09
457	DN 80 / 16	WP-XKA	250	225 mm	120 °C	FL 80 / 8-hole	457 000 10

NOTE

HYDROMETER flow sensor model 457 can be supplied calibrated on request.